

## GHz PLL with I<sup>2</sup>C Bus and Four Chip Addresses

## SDA 3302 Family

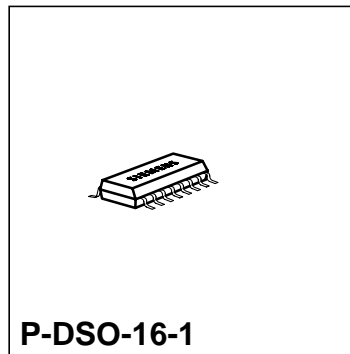
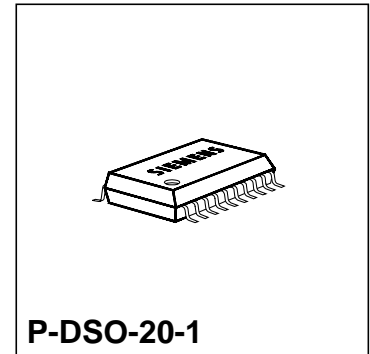
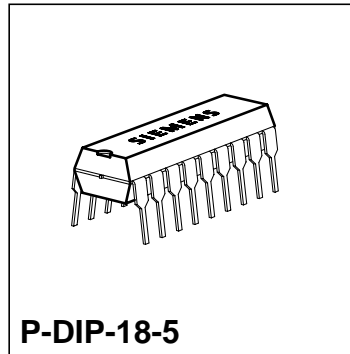
### Preliminary Data

### Bipolar IC

#### Features

- 1-chip system for MPU control (I<sup>2</sup>C bus)
- 4 programmable chip addresses
- Short pull-in time for quick channel switch-over and optimized loop stability
- Charge pump output with switch off option
- Up to 3\*) high current band switch outputs (20 mA)
- Up to 4\*) output ports (5 mA)

\*) depending on version



Type	Ordering Code	Package
SDA 3302-5	Q67000-H5112	P-DIP-18-5
SDA 3302-5X	Q67000-H5111	P-DSO-20-1 (SMD)
SDA 3302-5X6	Q67000-H5110	P-DSO-16-1 (SMD)
SDA 3302-5X	Q67006-H5111	P-DSO-20-1 Tape & Reel (SMD)
SDA 3302-5X6	Q67006-H5110	P-DSO-16-1 Tape & Reel (SMD)

## Functional Description

Combined with a VCO (tuner) the SDA 3302 device, with four hardware-switched chip addresses, forms a digitally programmable phase-locked loop for use in television sets with PLL frequency-synthesis tuning.

The PLL permits precise crystal-controlled setting of the frequency of the tuner oscillators between 16 and 1300 MHz in increments of 62.5 kHz. The tuning process is controlled by a microprocessor via an I<sup>2</sup>C bus. The crystal oscillator generates a sinusoidal signal suppressing the higher-order harmonics, which reduces the moiré noise considerably.

## Circuit Description

### Tuning Section (refer to block diagram)

UHF/VHF REF	The tuner signal is capacitively coupled at the UHF/VHF input and subsequently amplified. The reference input REF should be decoupled to ground using a capacitor of low series inductance. The signal passes through an asynchronous divider with a fixed ratio of $P = 8$ , an adjustable divider with ratio $N = 256$ through 32767 and is then compared in a digital phase/frequency detector to a reference frequency $f_{REF}$ of 7.8125 kHz. The latter is derived from a balanced, low-impedance 4 MHz crystal oscillator
Q1, Q2	(pin Q1, Q2), whose output signal is divided by $Q = 512$ .  The phase detector has two outputs UP and DOWN that drive the two current sources $I+$ and $I-$ of a charge pump. If the negative edge of the divided VCO signal appears prior to the negative edge of the reference signal, the $I+$ current source pulses for the duration of the phase difference. In the reverse case the $I-$ current source pulses.
PD, UD	When the two signals are in phase, the charge-pump output (PD) goes high-impedance (PLL is locked). An active low-pass filter integrates the current pulses to generate the tuning voltage for the VCO (internal amplifier an external transistor at the UD output and an external RC circuitry). The charge-pump output can also be set to high-impedance state when control bit $T0 = 1$ . Here it should be noted, however, that the tuning voltage can alter over a long period in the high-impedance state as a result of self-discharge in the peripheral circuitry. UD can be disconnected internally by the control bit OS to enable external adjustments.  By means of a control bit 5I the pump current can be switched between two values by software. This switchover permits alteration of the control response of the PLL in the locked-in state. In this way different VCO gains in the different TV bands can be compensated for example.

## Circuit Description (cont'd)

P0-P2	The software-switched outputs (P0, P1, P2) can be used for direct band selection (20-mA current output).
P4-P7	P4, P5, P6 and P7 are open-collector outputs for a variety of different purposes. The test bit T1 = 1 switches the test signals $f_{REF}$ (4 MHz/512) and Cy (divided input signal) to P6 and P7.
CAS	Four different chip addresses can be set by appropriate connection of pin CAS.

## I<sup>2</sup>C-Bus Interface

SCL, SDA Data are exchanged between the processor and the PLL on the I<sup>2</sup>C bus. The clock is produced by the processor (input SCL), while pin SDA works as an input or output depending on the direction of the data (open collector; external pullup resistor). Both inputs have hysteresis and a lowpass characteristic, which enhances the noise immunity of the I<sup>2</sup>C bus.

The data from the processor are applied to an I<sup>2</sup>C bus controller and filed in registers according to their function. When the bus is free, both lines are in the marking state (SDA, SCL are high). Each telegram begins with a start condition and ends with the stop condition. Start condition: SDA goes low while SCL remains high; stop condition: SDA goes high while SCL remains high. All further data exchanges occur while SCL is low and are accepted by the controller with the positive clock edge.

For what follows, refer to the table of logic allocations.

All telegrams are transmitted byte by byte, followed by a ninth clock pulse, during which the controller puts the SDA line on low (acknowledge condition). The first byte consists of seven address bits, with which the processor selects the PLL from a number of peripheral devices (chip select). The eighth bit is always low. In the data portion of the telegram the first bit of the first or third data byte determines whether a divider ratio or control information follows. In each case the byte following the first byte must be of the same data type (or a stop condition).

$V_S$ , GND When the supply voltage is applied, a power-on reset circuit prevents the PLL from putting the SDA line on low, which would block the bus.

## Circuit Description (cont'd)

### Logic Allocations

	MSB					A = Acknowledge			
Address byte	1	1	0	0	0	MA1	MA0	0	A
Prog. divider byte 1	0	n14	n13	n12	n11	n10	n9	n8	A
Prog. divider byte 2	n7	n6	n5	n4	n3	n2	n1	n0	A
Control info. byte 1	1	5I	T1	T0	1	1	1	OS	A
Control info. byte 2	P7	P6	P5	P4	X	P2	P1	P0	A

### Divider Ratio

$$N = 16384 \times n14 + 8192 \times n13 + 4096 \times n12 + 2048 \times n11 + 1024 \times n10 + 512 \times n9 + 256 \times n8 + 128 \times n7 + 64 \times n6 + 32 \times n5 + 16 \times n4 + 8 \times n3 + 4 \times n2 + 2 \times n1 + n0$$

### Band Selection

P2-P0 = 1                      Open-collector output is active.

### Port Outputs

P7-P4 = 1                      Open-collector output is active.

### Pump Current Switchover

5I = 1                          High current.

### UD Disable

OS = 1                           $V_D$  is disabled.

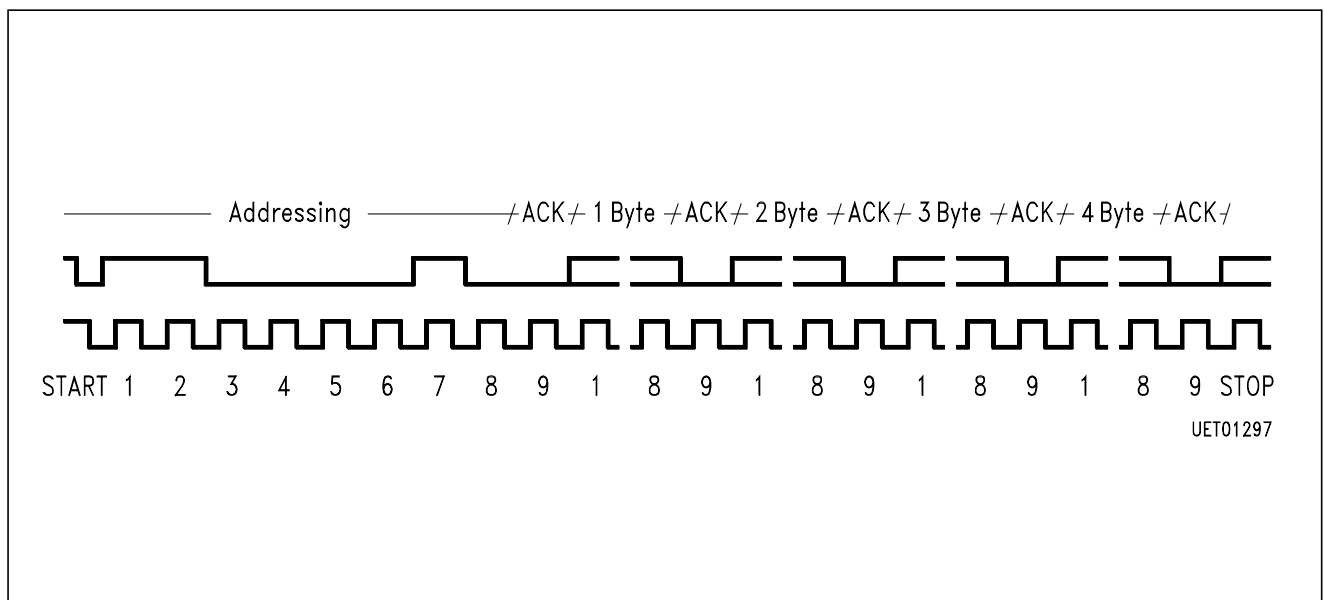
### Test Mode

T1, T0 = 0,0                      Normal mode  
 T1 = 1                               $P6 = f_{REF}$ ;  $P7 = Cy$   
 T0 = 1                              Tristate charge pump PD is in high-impedance.

## Circuit Description (cont'd)

### Chip-Address Switching

MA1	MA0	Voltage on CAS
0	0	(0-0.1) $V_S$
0	1	open
1	0	(0.4-0.6) $V_S$
1	1	(0.9-1) $V_S$



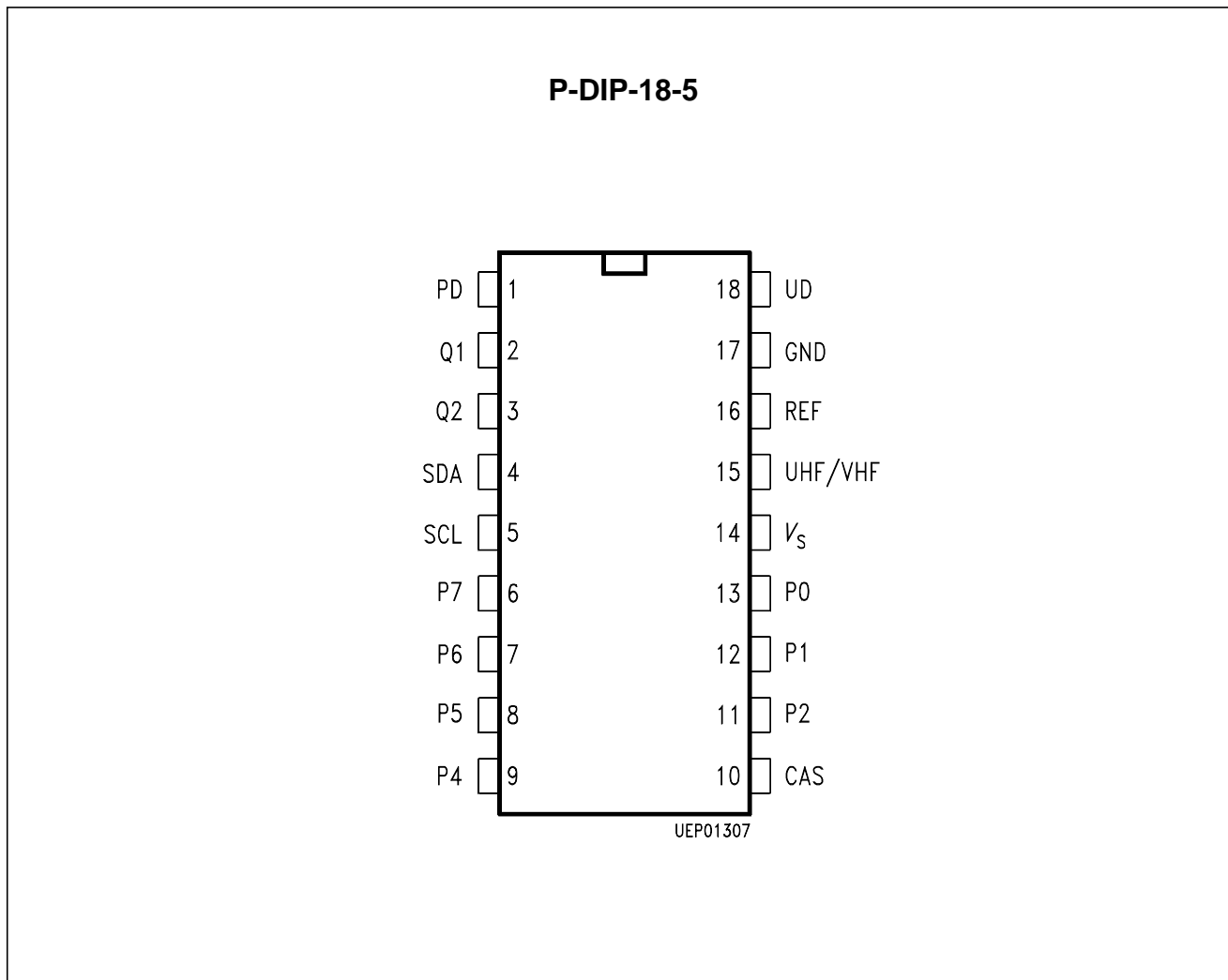
### Pulse Diagram

### Telegram Examples

Start-Addr-DR1-DR2-CW1-CW2-Stop  
 Start-Addr-CW1-CW2-DR1-DR2-Stop  
 Start-Addr-DR1-DR2-CW1-Stop  
 Start-Addr-CW1-CW2-DR1-Stop  
 Start-Addr-DR1-DR2-Stop  
 Start-Addr-CW1-CW2-Stop  
 Start-Addr-DR1-Stop

Start = start condition  
 Addr = address  
 DR1 = divider ratio 1st byte  
 DR2 = divider ratio 2nd byte  
 CW1 = control word 1st byte  
 CW2 = control word 2nd byte  
 Stop = stop condition

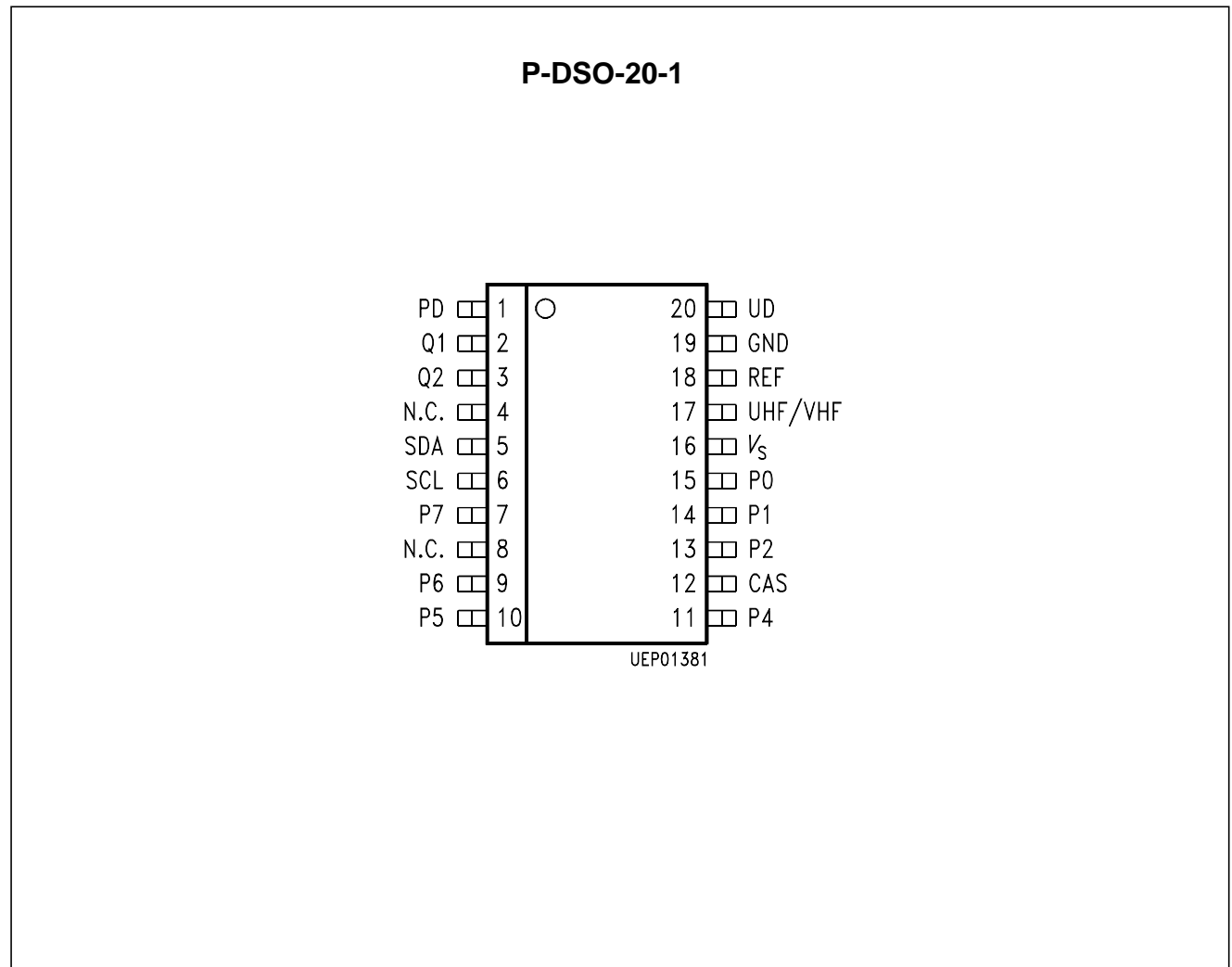
## Pin Configuration (SDA 3302-5) (top view)



## Pin Definitions and Functions (SDA 3302-5)

Pin No.	Symbol	Function
1	PD	Active-filter input/charge-pump output
2	Q1	Crystal
3	Q2	Crystal
4	SDA	Data input/output for I <sup>2</sup> C bus
5	SCL	Clock input for I <sup>2</sup> C bus
6	P7	Port output (open collector)
7	P6	Port output (open collector)
8	P5	Port output (open collector)
9	P4	Port output (open collector)
10	CAS	Chip-address switchover
11	P2	Port output (open collector)
12	P1	Port output (open collector)
13	P0	Port output (open collector)
14	V <sub>s</sub>	Supply voltage
15	UHF/VHF	Signal input
16	REF	Amplifier reference input
17	GND	Ground
18	UD	Output active filter

## Pin Configuration (SDA 3302-5X) (top view)

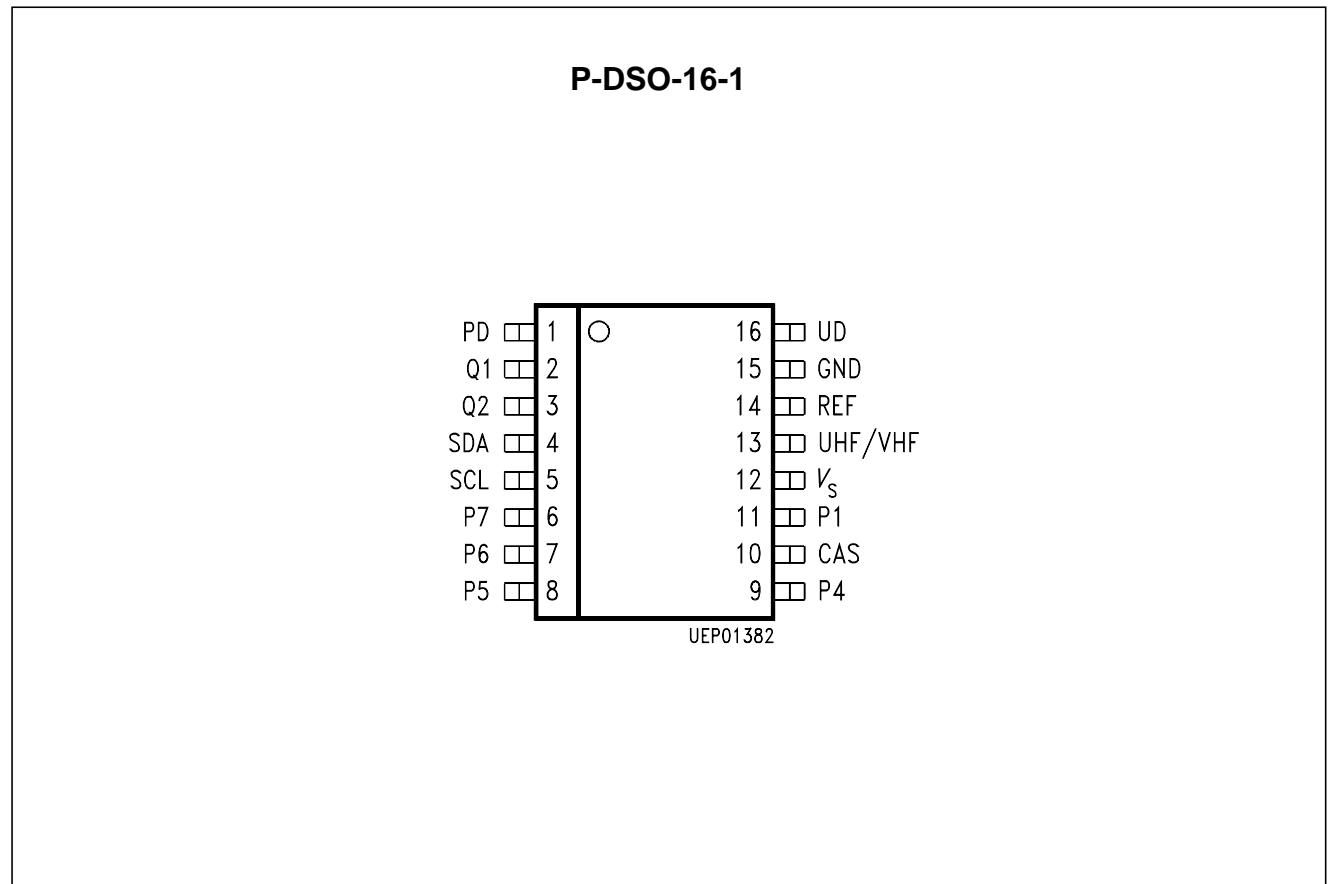




## Pin Definitions and Functions (SDA 3302-5X)

Pin No.	Symbol	Function
1	PD	Active-filter input/charge-pump output
2	Q1	Crystal
3	Q2	Crystal
4	N.C.	Not connected
5	SDA	Data input/output for I <sup>2</sup> C bus
6	SCL	Clock input for I <sup>2</sup> C bus
7	P7	Port output (open collector)
8	N.C.	Not connected
9	P6	Port output (open collector)
10	P5	Port output (open collector)
11	P4	Port output (open collector)
12	CAS	Chip-address switchover
13	P2	Port output (open collector)
14	P1	Port output (open collector)
15	P0	Port output (open collector)
16	V <sub>s</sub>	Supply voltage
17	UHF/VHF	Signal input
18	REF	Amplifier reference input
19	GND	Ground
20	UD	Active-filter output

## Pin Configuration (SDA 3302-5X6) (top view)

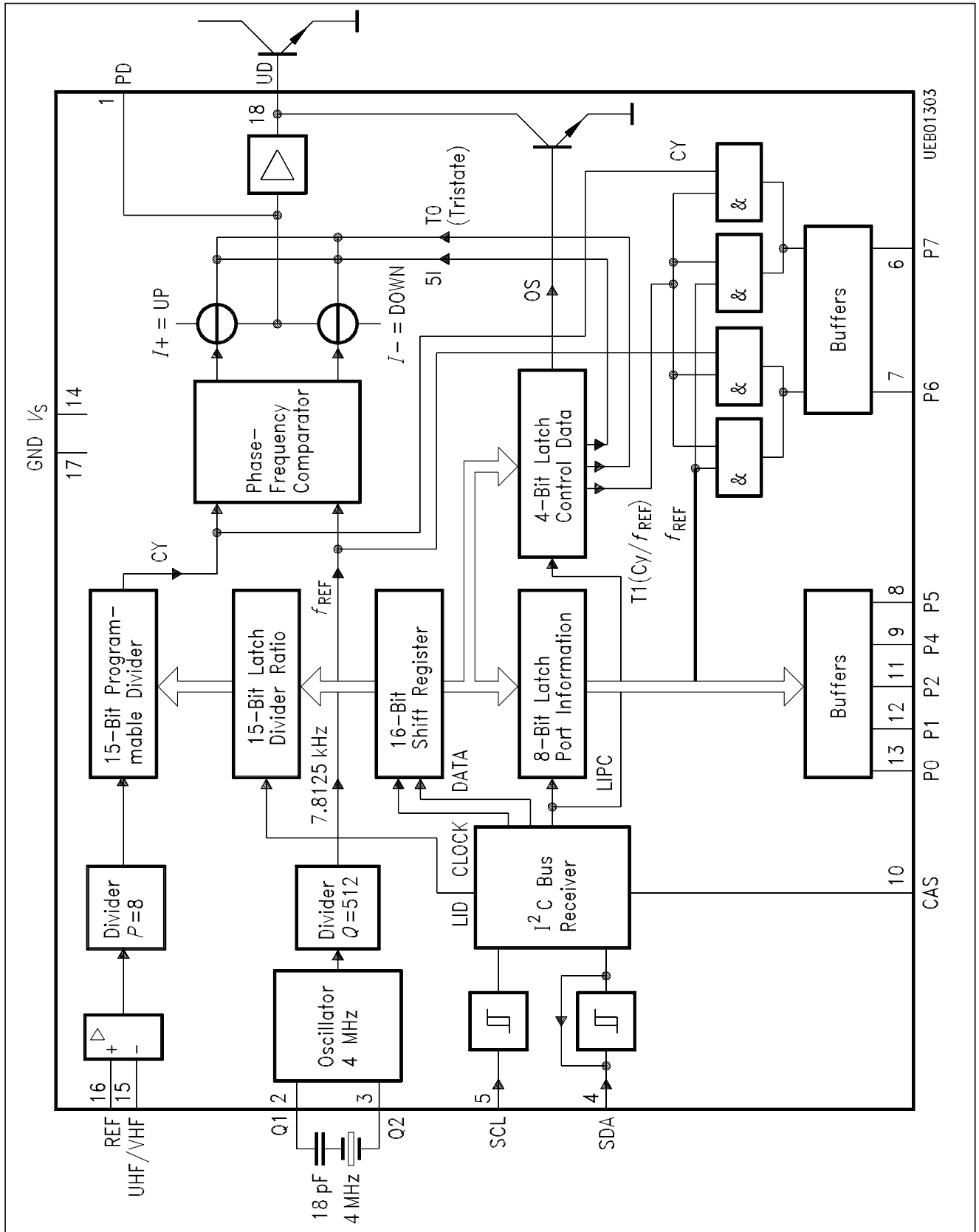


## Pin Definitions and Functions (SDA 3302-5X6)

Pin No.	Symbol	Function
1	PD	Active-filter input/output pump output
2	Q1	Crystal
3	Q2	Crystal
4	SDA	Data input/output for I <sup>2</sup> C bus
5	SCL	Clock input for I <sup>2</sup> C bus
6	P7	Port output (open collector)
7	P6	Port output (open collector)
8	P5	Port output (open collector)
9	P4	Port output (open collector)
10	CAS	Chip-address switchover
11	P1	Port output (open collector)
12	V <sub>s</sub>	Supply voltage
13	UHF/VHF	Signal input
14	REF	Amplifier reference input
15	GND	Ground
16	UD	Output active filter

### Pin Definitions and Functions, Reference List

SDA 3302 P-DIP-18-5 Pin No.	SDA 3302X P-DSO-20-1 Pin No.	SDA 3302X6 P-DSO-16-1 Pin No.	Symbol	Function
1	1	1	PD	Input active-filter input charge pump output
2	2	2	Q1	Crystal
3	3	3	Q2	Crystal
-	4	-	N.C.	Not connected
4	5	4	SDA	Data input/output for I <sup>2</sup> C bus
5	6	5	SCL	Clock input for I <sup>2</sup> C bus
6	7	6	P7	Port output (open collector)
-	8	-	N.C.	Not connected
7	9	7	P6	Port output (open collector)
8	10	8	P5	Port output (open collector)
9	11	9	P4	Port output (open collector)
10	12	10	CAS	Chip-address switchover
11	13	-	P2	Port output (open collector)
12	14	11	P1	Port output (open collector)
13	15	-	P0	Port output (open collector)
14	16	12	V <sub>s</sub>	Supply voltage
15	17	13	UHF/VHF	Signal input
16	18	14	REF	Amplifier reference input
17	19	15	GND	Ground
18	20	16	UD	Output active filter



Block Diagram SDA 3302-5

Pin nos. refer to P-DIP-18 package only. For other packages, see reference list on page 16

## Absolute Maximum Ratings

$T_A = 25\text{ °C}$

Parameter	Symbol <sup>2)</sup>	Limit Values		Unit	Remarks
		min.	max.		
Supply voltage	$V_S$	- 0.3	6	V	
Output PD	$V_1$	- 0.3	$V_S$	V	
Crystal Q1	$V_2$	- 0.3	$V_S$	V	
Crystal Q2	$V_3$	- 0.3	$V_S$	V	
Bus input/output SDA	$V_4$	- 0.3	6	V	
Bus input SCL	$V_5$	- 0.3	6	V	
Port output P7, P6, P5, P4	$V_{6, 7, 8, 9}$	- 0.3	16	V	
Chip-address switchover	$V_{10}$	- 0.3	$V_S$	V	
Port output P2, P1, P0	$V_{11, 12, 13}$	- 0.3	16	V	open collector
Signal input UHF/VHF	$V_{15}$	- 0.3	0.3	V	for $V_S = 0\text{ V}$
Reference input REF	$V_{16}$	- 0.3	0.3	V	for $V_S = 0\text{ V}$
Output active filter UD	$V_{18}$	- 0.3	$V_S$	V	
Bus output SDA	$I_{4L}$	- 1	5	mA	open collector
Port output P7, P6, P5, P4	$I_{6L, 7L, 8L, 9L}$	- 1	5	mA	open collector
Port output P2, P1, P0	$I_{11L, 12L, 13L}$	- 1	20	mA	open collector
Chip temperature	$T_C$		125	°C	
Total port output current	$Z_{IL}$		25	mA	
Storage temperature	$T_{stg}$	- 40	125	°C	
Thermal resistance (system-air)	$R_{thSA}$		80	K/W	

2) Pin nos. refer to P-DIP-18 package

## Absolute Maximum Ratings

$T_A = 25\text{ °C}$

Parameter	Symbol <sup>2)</sup>	Limit Values		Unit	Remarks
		min.	max.		

## Operating Range

Supply voltage	$V_S$	4.5	5.5	V	
Ambient temperature	$T_A$	- 20	80	°C	
Input frequency	$f_{15}$	16	1300	MHz	
Crystal frequency	$f_{2,3}$		4	MHz	
Programmable divider factor	$N$	256	32767		

1) Design note: no 100 % final inspection.

2) Pin nos. refer to P-DIP-18 package

### Characteristics

$V_S = 5\text{ V}; T_A = 25\text{ °C}$

Parameter	Symbol <sup>2)</sup>	Limit Values			Unit	Test Condition	Test Circuit
		min.	typ.	max.			
Current consumption	$I_S$		35		mA	$V_S = 5\text{ V}$	1
Crystal-oscillator frequency	$f_{2,3}$	3.99975	4.000	4.00025	MHz	series capacitance 18 pF; $f_{xtal} = 4\text{ MHz}$	1
Oscillator level <sup>1)</sup> (Voltage across crystal)	$V_{2,3}$		2.6		V <sub>pp</sub>		
Margin from 1st <sup>1)</sup> and 2nd harmonic			20		dB		

### Input Sensitivity UHF/VHF

	$a_{15}$	- 27/10		3/315		$f_{15} = 70\text{-}500\text{ MHz}$	2
	$a_{15}$	- 27/10		3/315	3)	$f_{15} = 1000\text{ MHz}$	2
	$a_{15}$	- 27/10		3/315		$f_{15} = 1100\text{ MHz}$	2

### Band-Select Outputs P0-P2 (switch with open collector)

Reserve current	$I_{13H}$			10	μA	$V_{13H} = 13.5\text{ V}$	3
Residual voltage	$V_{13L}$			0.5	V	$I_{13H} = 20\text{ mA}$	3

### Port Outputs P4-P7 (switch with open collector)

Reserve current	$I_{9H}$			10	μA	$V_{9H} = 13.5\text{ V}$	4
Residual voltage	$V_{9L}$			0.5	V	$I_{9L} = 1.7\text{ mA}$	4

Note: The sum of the currents in ports P0-P7 must not exceed 25 mA

### Phase-Detector Output PD

Pump current	$I_{1H}$	± 90	± 230	± 300	μA	5I = HIGH; $V_1 = 2\text{ V}$	
Pump current	$I_{1H}$	± 22	± 50	± 75	μA	5I = LOW; $V_1 = 2\text{ V}$	
Output voltage	$V_{1L}$	1.0		2.5	V	locked	

1) Design note: no 100 % final inspection.

2) Pin nos. refer to P-DIP-18 package

3) dBm/mV<sub>rms</sub> into 50 Ω



### Characteristics (cont'd)

$V_S = 5\text{ V}; T_A = 25\text{ °C}$

Parameter	Symbol <sup>2)</sup>	Limit Values			Unit	Test Condition	Test Circuit
		min.	typ.	max.			

### Output Active Filter UD (T0 = 1)

Output current	$-I_{18}$	500			$\mu\text{A}$	$V_{18} = 0.8\text{ V};$ $I_{1H} = 90\ \mu\text{A}$	5
Output voltage	$V_{18}$			100	mV	$V_{1L} = 0\text{ V}$	5
Output voltage	$V_{18}$			500	mV	OS = 1	5

### Chip-Address Switchover

Input current	$I_{10H}$			50	$\mu\text{A}$	$V_{10H} = 5\text{ V}$	7
Input current	$-I_{10H}$			50	$\mu\text{A}$	$V_{10H} = 0\text{ V}$	7

### Bus Inputs SCL, SDA

Input voltage	$V_{5H}$	3		5.5	V		6
	$V_{5L}$			5.5	V		
Input current	$I_{5H}$			10	$\mu\text{A}$	$V_{5H} = V_S$	6
Input current	$-I_{5L}$			20	$\mu\text{A}$	$V_{5L} = 0\text{ V}$	6

### Output SDA (open collector)

Reverse current	$I_{4H}$			10	$\mu\text{A}$	$V_{4H} = 5.5\text{ V}$	6
Output voltage	$V_{4L}$			0.4	V	$I_{4L} = 3\text{ mA}$	6

### Edges SCL, SDA

Rise time	$t_R$			1	$\mu\text{s}$		6
Fall time	$t_F$			0.3	$\mu\text{s}$		6

### Shift Clock SCL

Frequency	$f_5$	0		100	kHz		6
H-pulse width	$t_{5H}$	4			$\mu\text{s}$		6
L-pulse width	$t_{5L}$	4.7			$\mu\text{s}$		6

2) Pin nos. refer to P-DIP-18 package

### Characteristics (cont'd)

$V_S = 5\text{ V}; T_A = 25\text{ °C}$

Parameter	Symbol <sup>2)</sup>	Limit Values			Unit	Test Condition	Test Circuit
		min.	typ.	max.			

#### Start

Setup time	$t_{\text{SUSta}}$	4.7			$\mu\text{s}$		6
Hold time	$t_{\text{HDSta}}$	4			$\mu\text{s}$		6

#### Stop

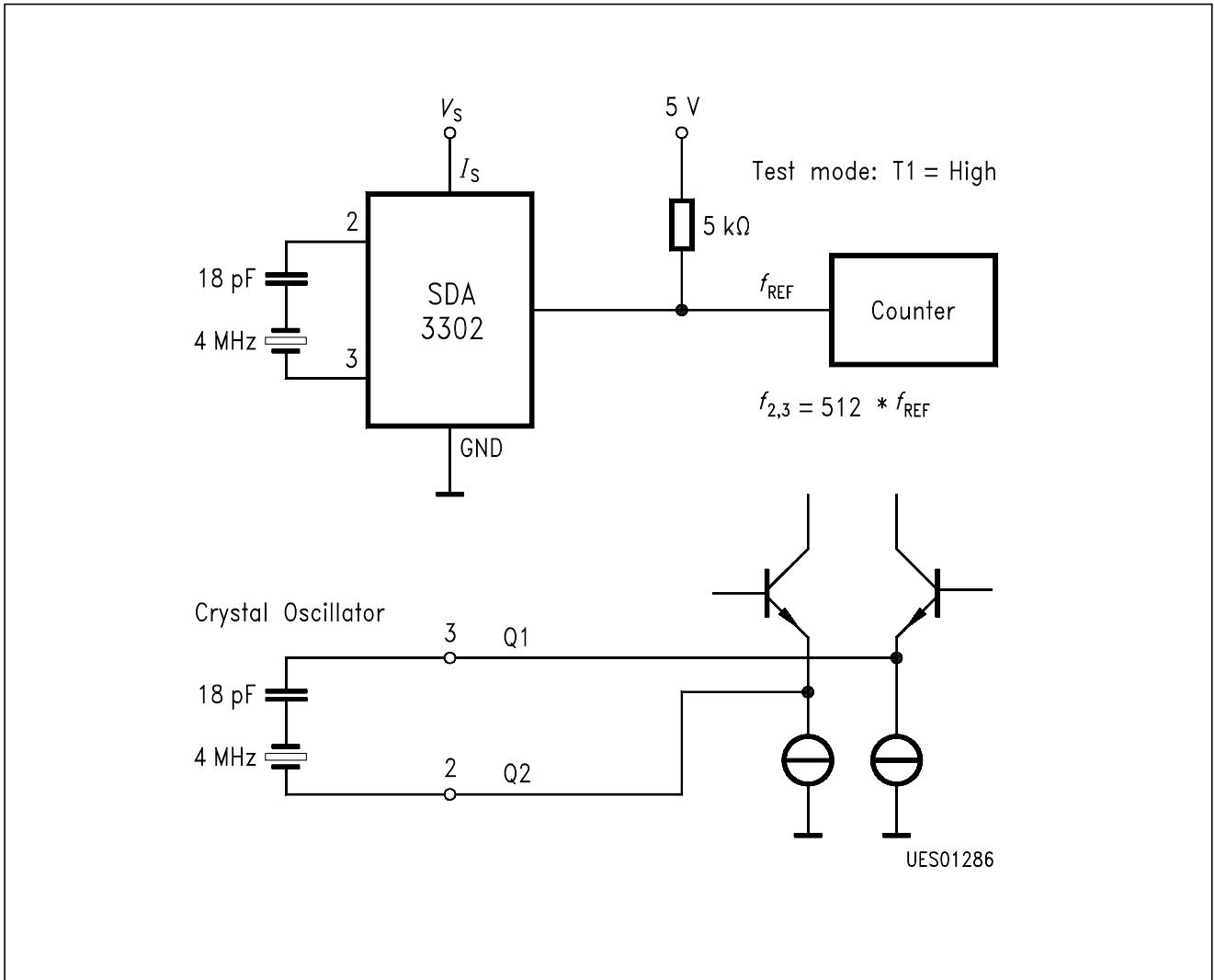
Setup time	$t_{\text{SUsto}}$	4.7			$\mu\text{s}$		6
Bus free	$t_{\text{BUF}}$	4.7			$\mu\text{s}$		6

#### Data Exchange

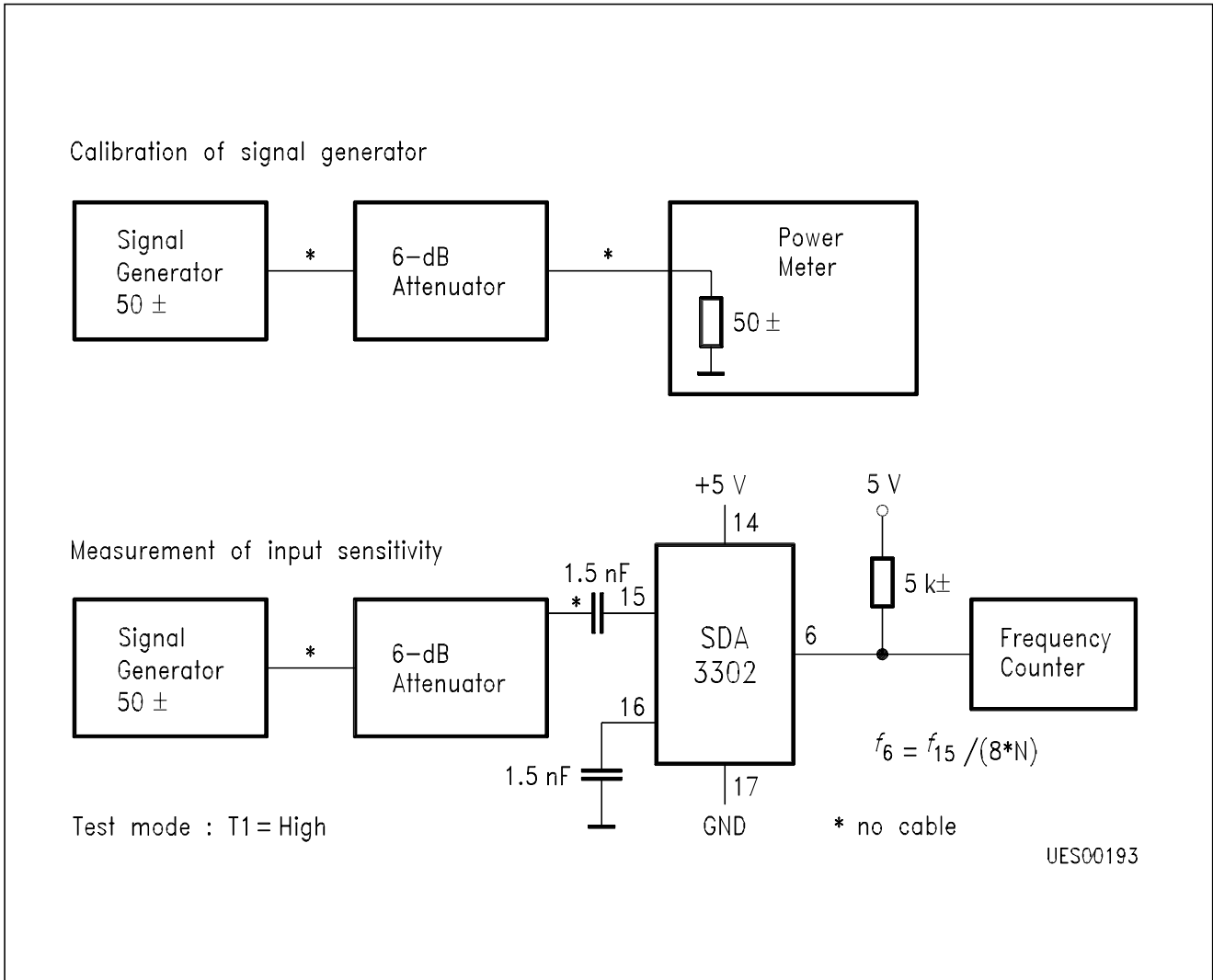
Setup time	$t_{\text{SUDat}}$	0.25			$\mu\text{s}$		6
Hold time	$t_{\text{HDDat}}$	0			$\mu\text{s}$		6
Input hysteresis <sup>1)</sup> SCL, SDA			300		mV		
Lowpass cutoff <sup>1)</sup> frequency SCL, SDA			500		kHz		

1) Design note: no 100 % final inspection.

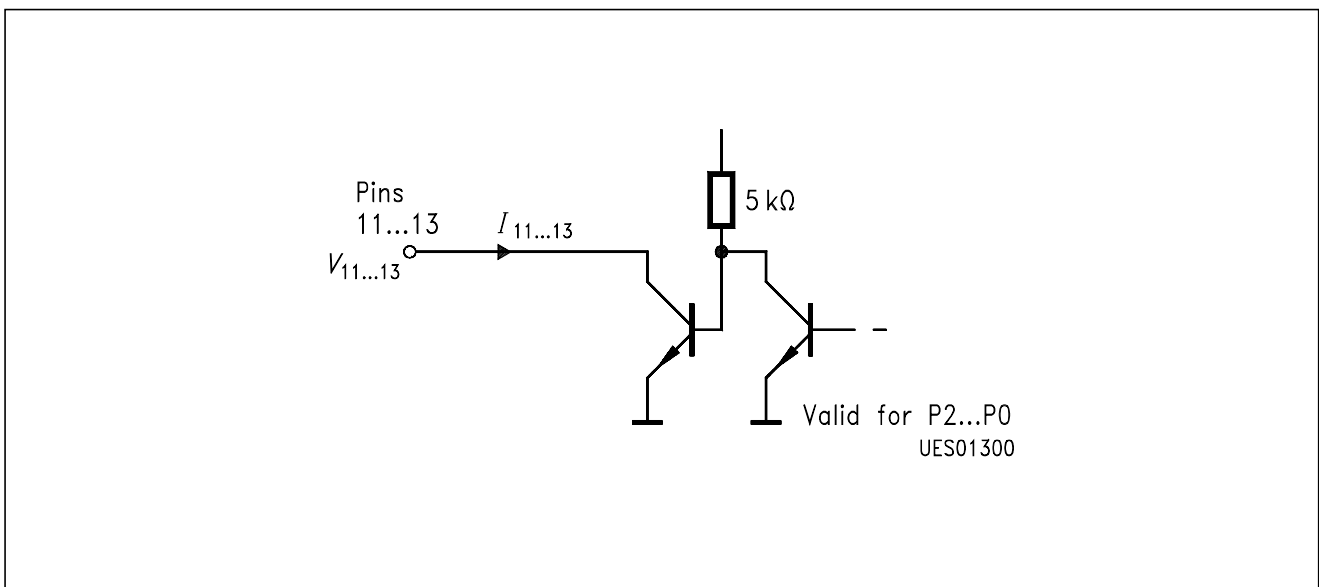
2) Pin nos. refer to P-DIP-18 package



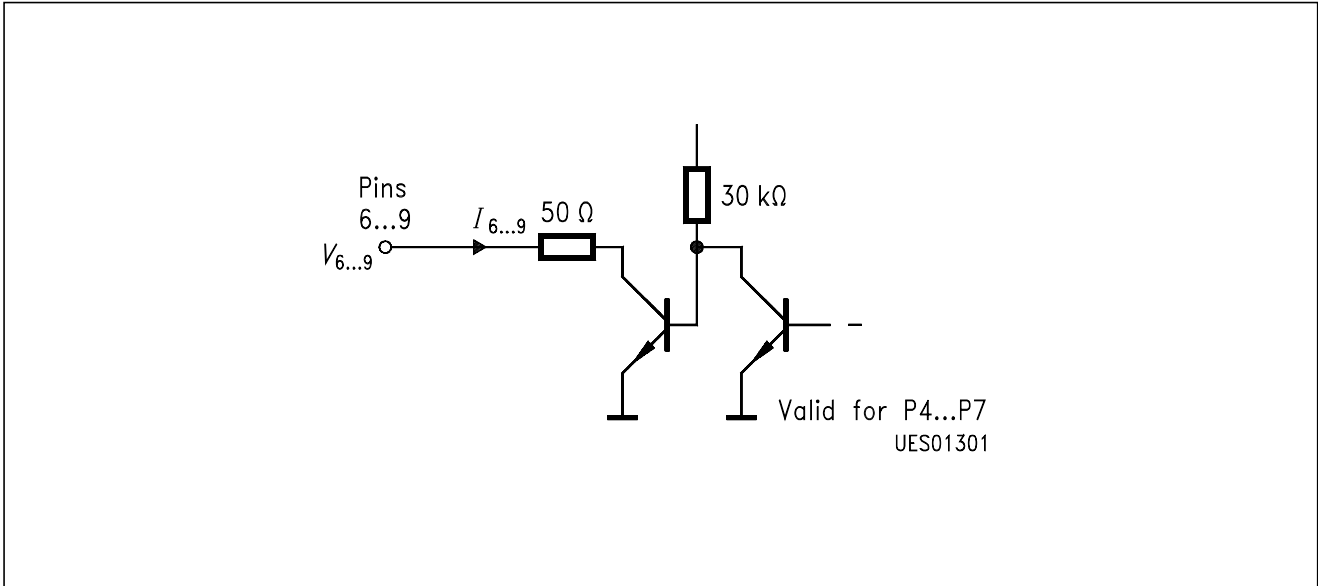
Test Circuit 1



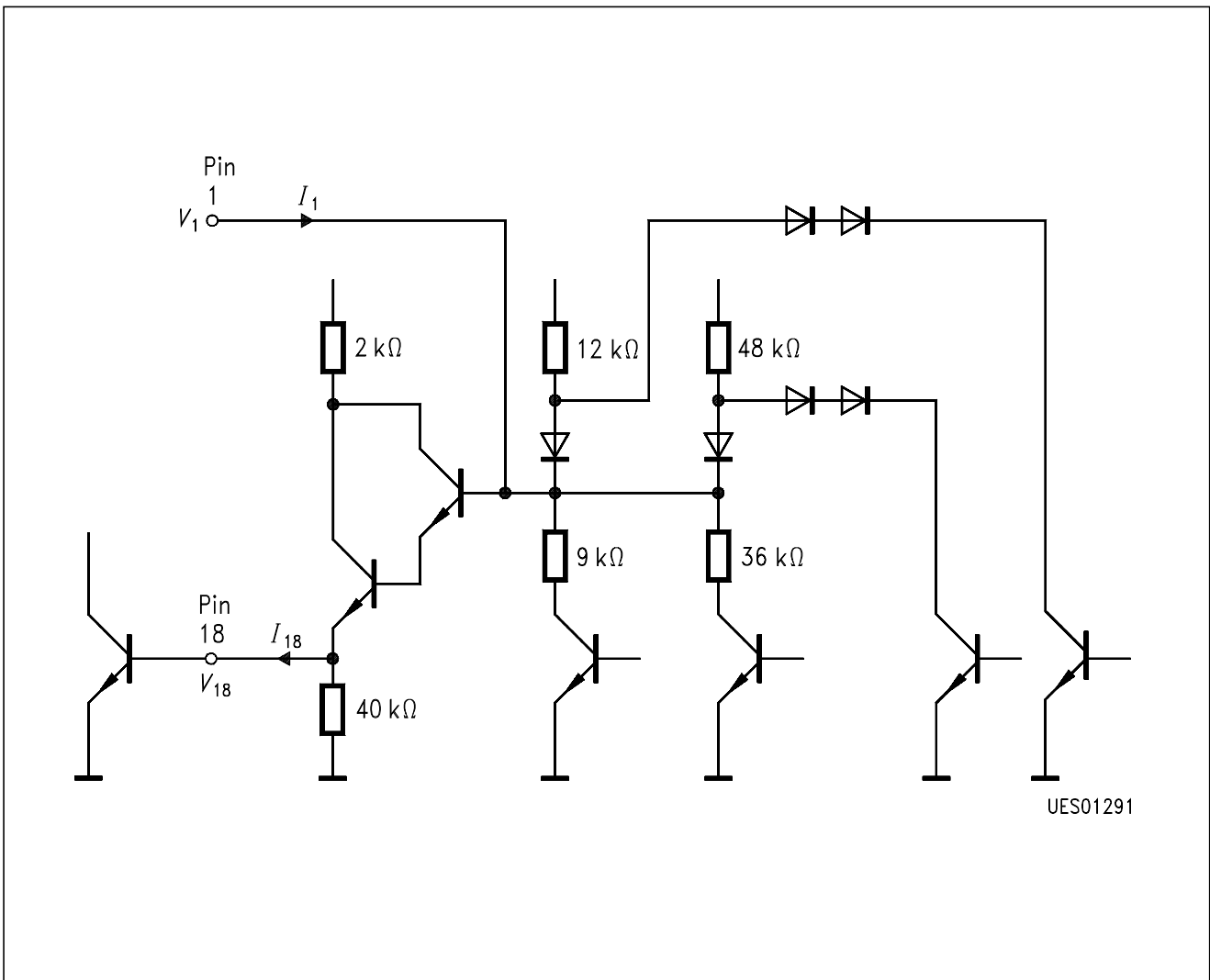
**Test Circuit 2**



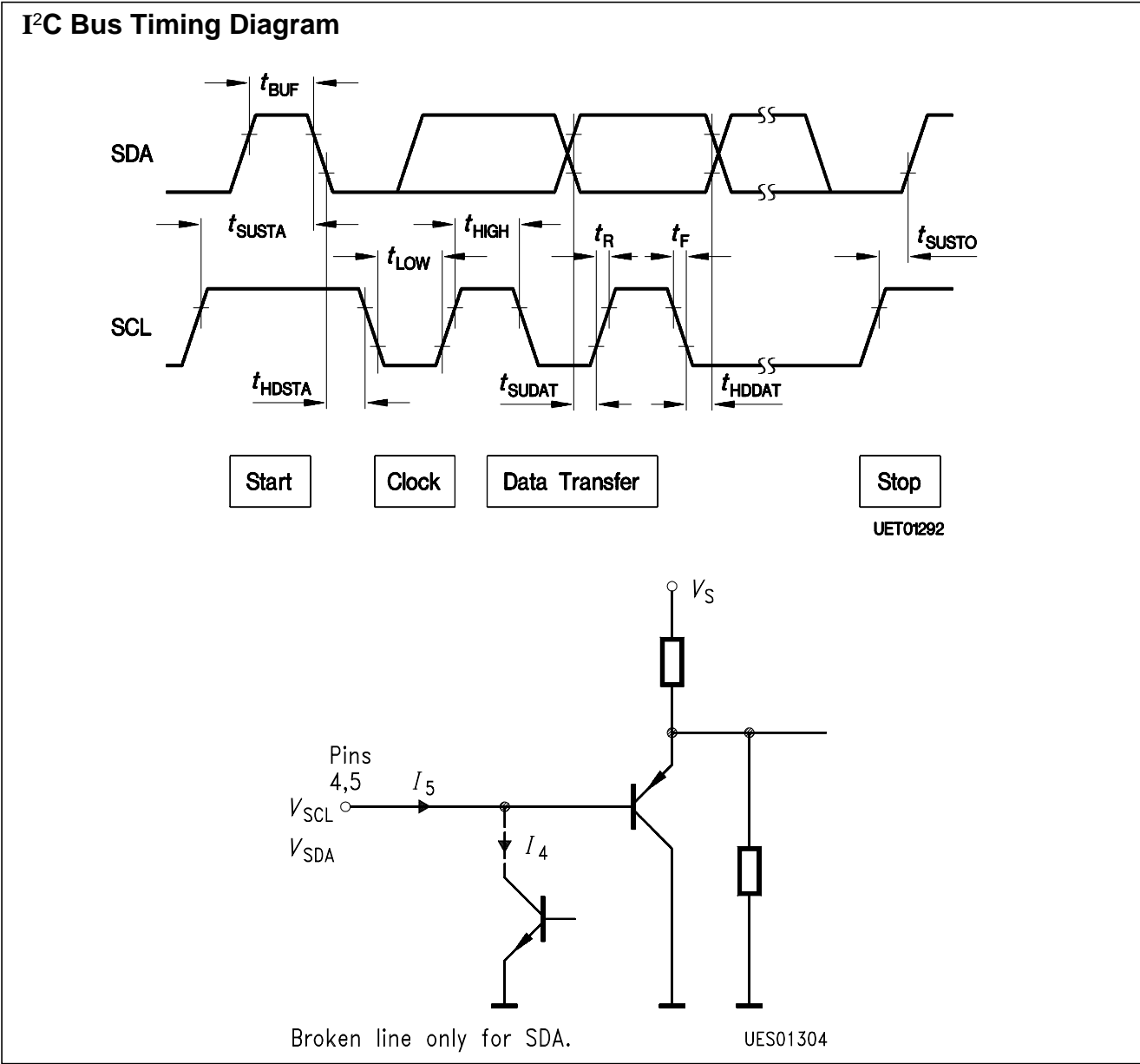
**Test Circuit 3**



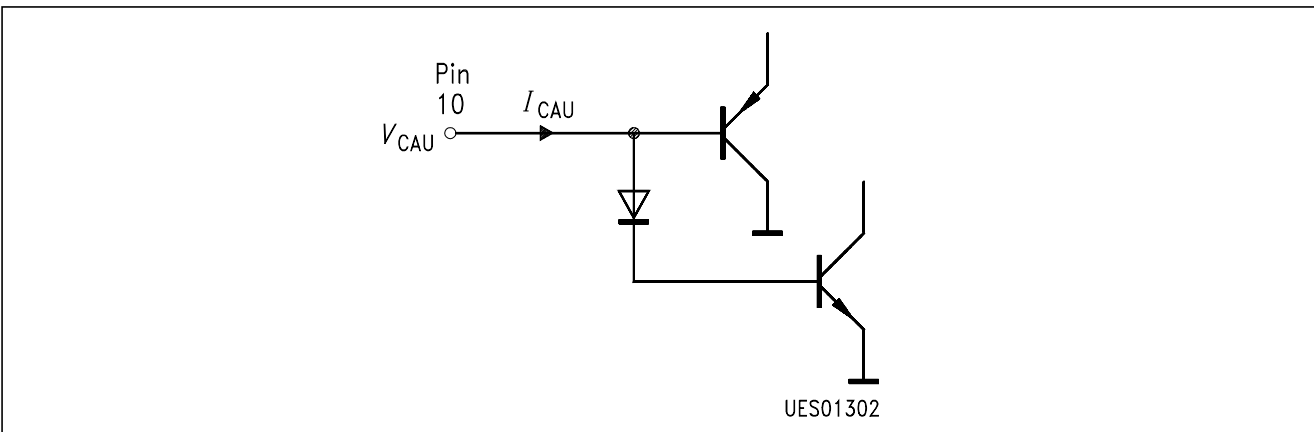
Test Circuit 4



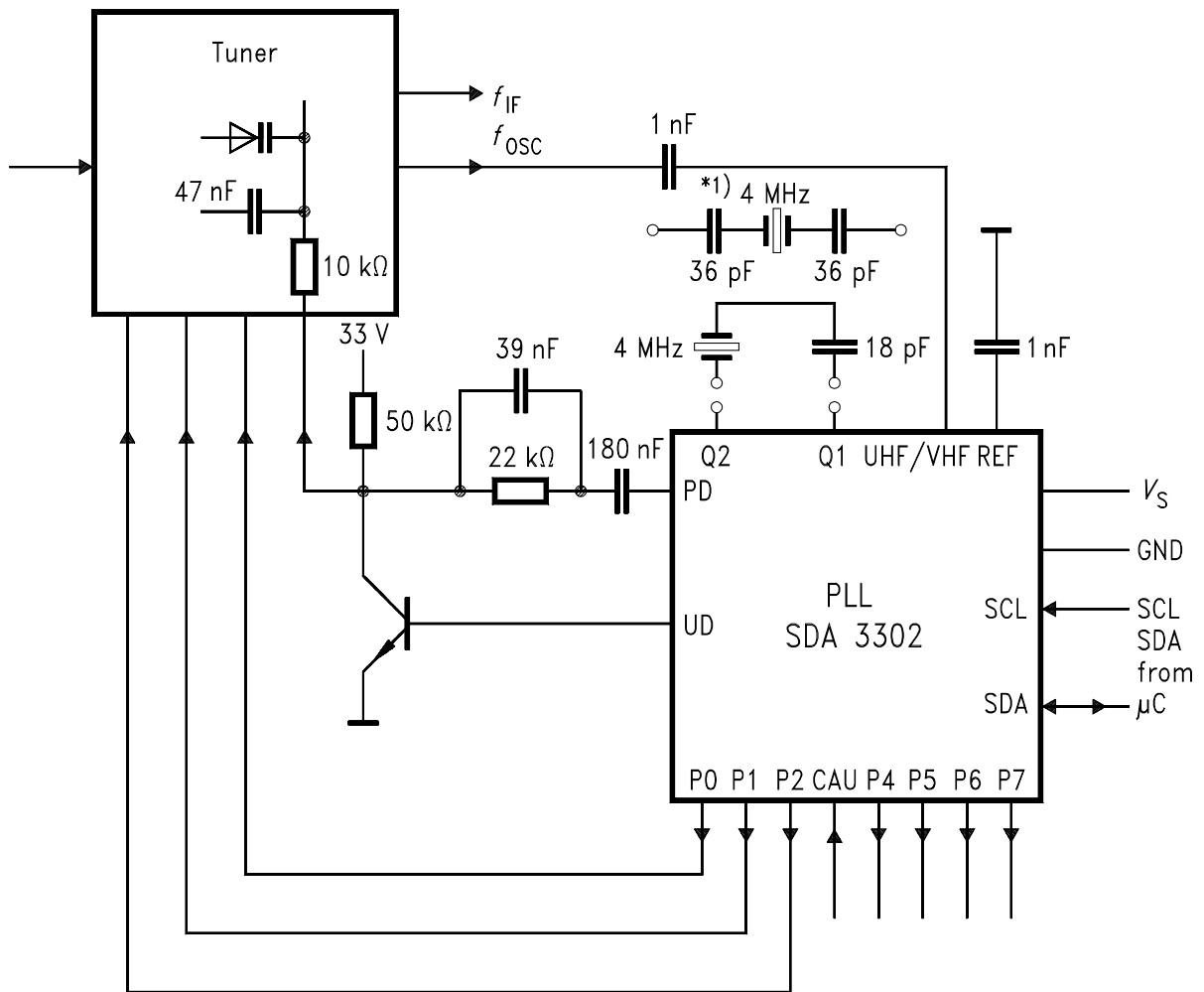
Test Circuit 5



Test Circuit 6



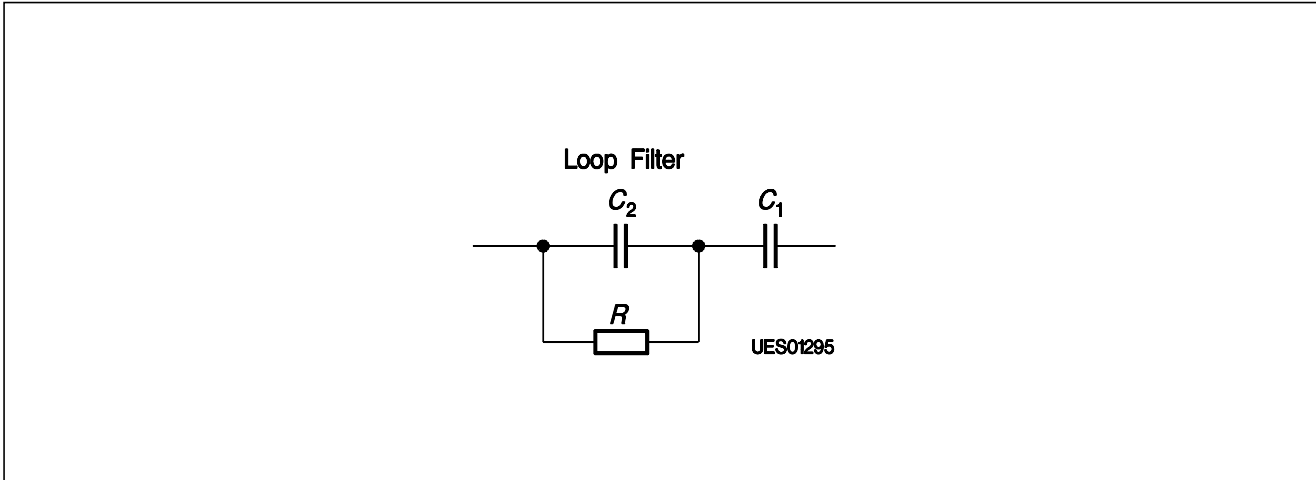
Test Circuit 7



\*1) This configuration of the load capacitances improves the balance of this crystal oscillator and thus reduces crosstalk.

UES00191

Application Circuit



**Application Circuit**

**Calculation of Loop Filter**

Loop bandwidth  $\omega_R = \sqrt{(I_p \times K_{VCO}) / (C_1 \times P \times N)}$

Attenuation:  $\xi = 0.5 \times \omega_R \times R \times C_1$

$P$  = prescaler

$N$  = programmable divider

$I_p$  = pump current

$K_{VCO}$  = tuner slope

$R, C_1$  = loop filter

Example for channel 47:

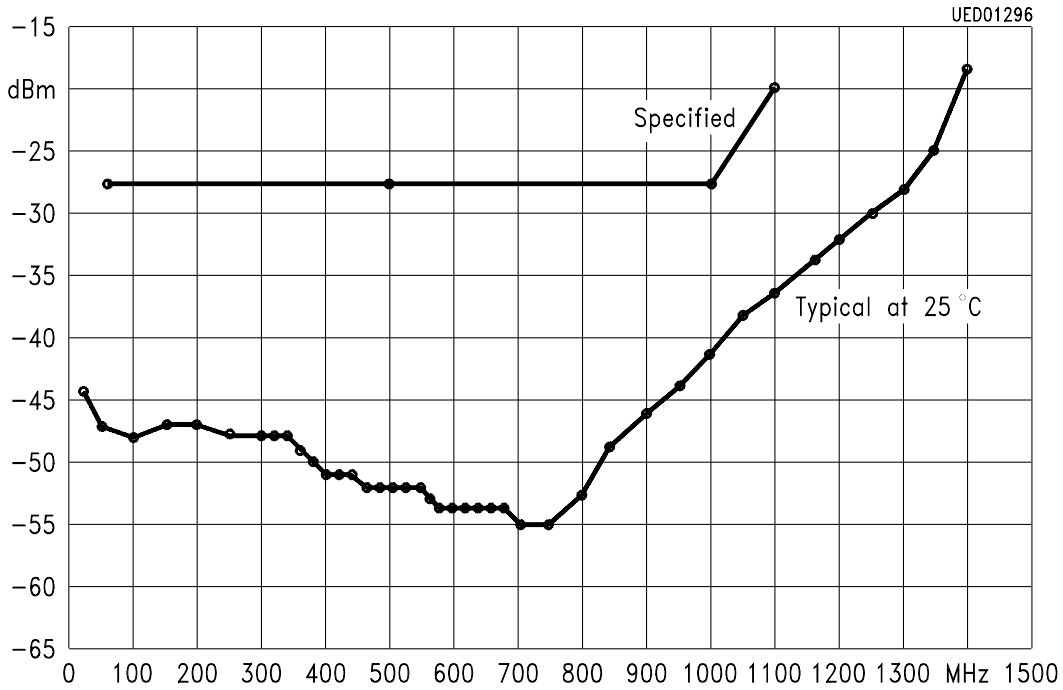
$P = 8, N = 11520, I_p = 100 \mu A; K_{VCO} = 18.7 \text{ MHz/V}, R = 22 \text{ k}\Omega,$   
 $C_1 = 180 \text{ nF}, \omega_R = 336 \text{ Hz}, f_r = 54 \text{ Hz}, \xi = 0.67$

Standard dimensioning:  $C_2 = C_{1/5}$

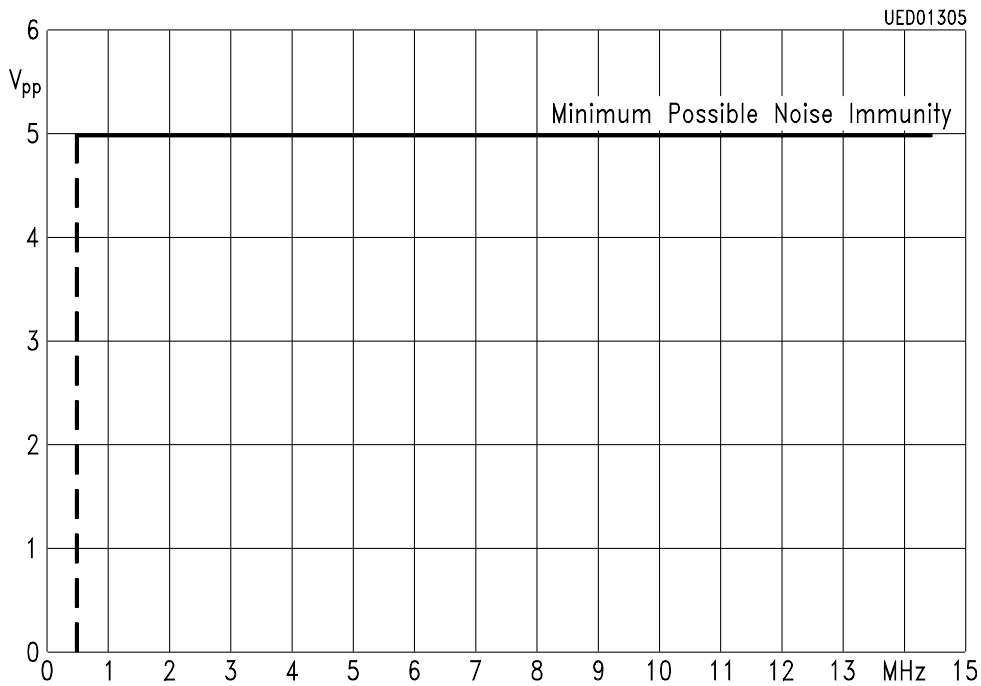
**Note:** The high-impedance port outputs and CAS can be blocked against external noise with a capacitor of 1 nF.



**Input Sensitivity**



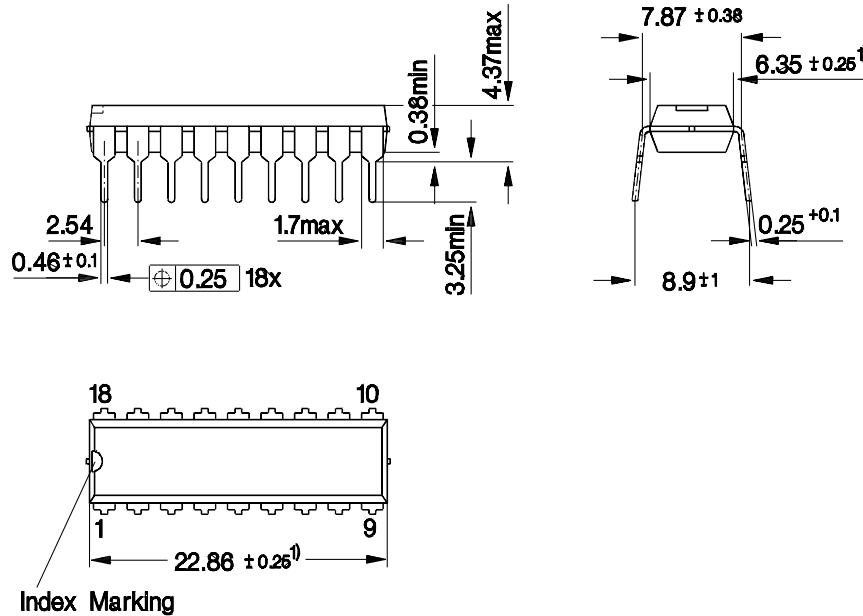
**I<sup>2</sup>C Bus Noise Immunity**



The sinusoidal noise pulses are applied via a coupling capacitance of 33 pF to SCL and SDA inputs.

Package Outlines

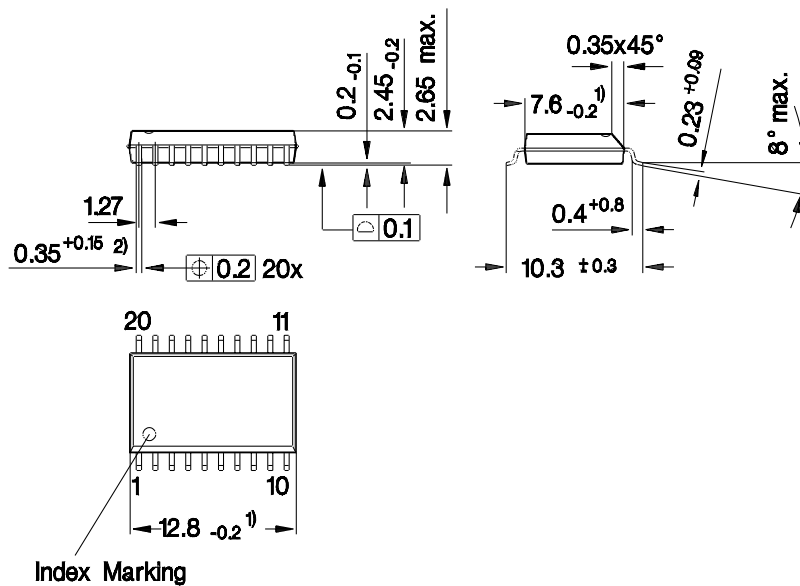
**Plastic-Package, P-DIP-18-5**  
(Plastic Dual In-Line Package)



1) Does not include plastic or metal protrusion of 0.25 max. per side

GPD05586

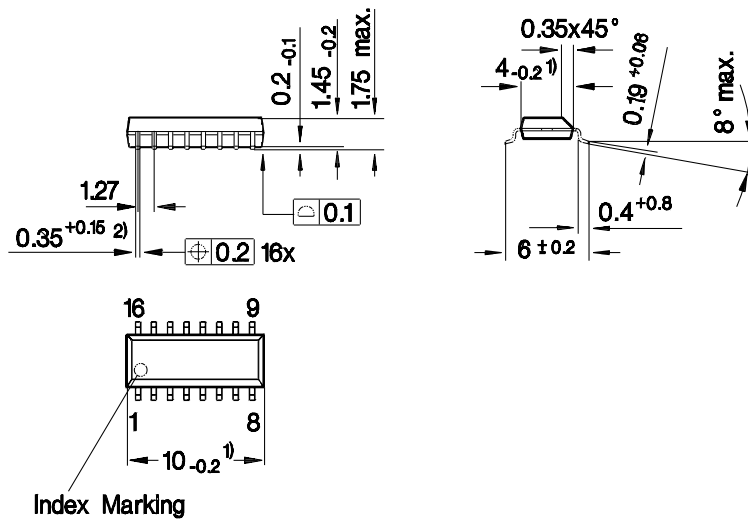
**Plastic-Package, P-DSO-20-1 (SMD)**  
(Plastic Dual Small Outline Package)



1) Does not include plastic or metal protrusion of 0.15 max. per side  
2) Does not include dambar protrusion

GPS05094

**Plastic-Package, P-DSO-16-1 (SMD)**  
 (Plastic Dual Small Outline Package)



Index Marking

- 1) Does not include plastic or metal protrusion of 0.15 max. per side
- 2) Does not include dambar protrusion

GPS05119

**Sorts of Packing**

Package outlines for tubes, trays etc. are contained in our Data Book "Package Information"

SMD = Surface Mounted Device

Dimensions in mm